

FUJIFILM
expect INNOVATION™

1/3 Inch HDTV Lenses



Th13x3.5BRMU

Technology That Inspires...

FUJINON

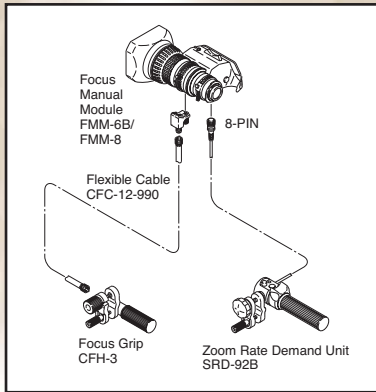
Th13x3.5BRM



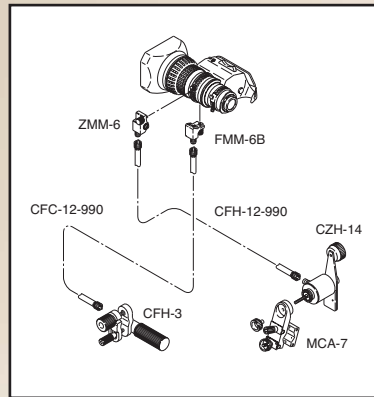
Zoom Ratio / Format	13X / 1/3"
Focal Length	3.5 to 46 mm
Maximum Relative Aperture	1:1.4 (3.5 ~ 43 mm)
Angular Field of View	3.5 mm 72° 32' x 45° 34'
16:9 Aspect Ratio	46 mm 6° 30' x 3° 40'
M.O.D. from Image Plane	0.66 m
M.O.D. from Front of Lens	0.40 m
Object Dimensions at M.O.D.	3.5 mm 660 x 371 mm
	46 mm 53 x 30 mm
Filter Size	ø 82 mm P=0.75
Dia ø x Length (w/o Hood)	ø85 x 228 mm
Weight (w/o Hood)	1.68 kg
Features	Inner Focus

ACCESSORIES: HD & SD ENG/EFP PROFESSIONAL REAR CONTROL KITS

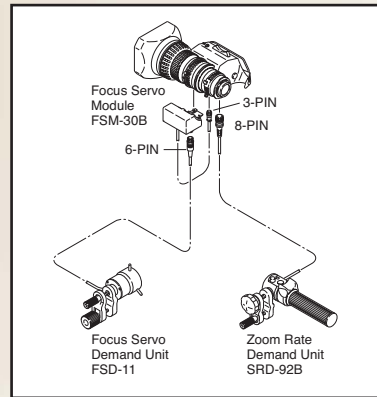
MS-01 Manual Focus/Servo Zoom



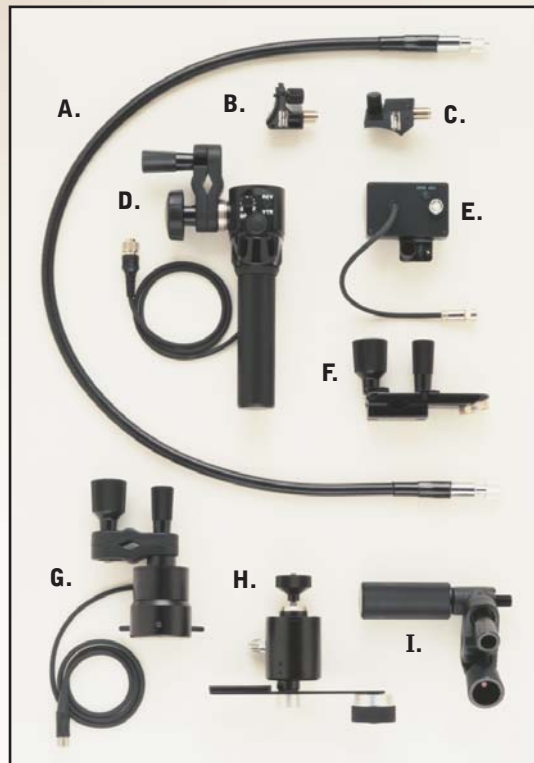
MM-01 Manual Focus/Manual Zoom
Not available on S16x7.3



SS-01 Servo Focus/Servo Zoom
Not available on S16x7.3



*Specify camera type.



- A. CFC-990
Flex Cable
- B. FMM-6B/FMM-8*
Focus Manual
Module
- C. ZMM-6
Zoom Manual
Module
- D. SRD-92B
Zoom Demand
- E. FSM-30B
Focus Servo
Module
- F. MCA-7
Mounting Clamp
- G. FSD-11
Focus Demand
- H. CZH-14
Zoom Handle
- I. CFH-3
Focus Handle

*FMM-8 for use with S16x7.3

For Sales Contact Information go to
www.Fujinon.com