

JVC

4K Memory Card Camera Recorder

GY-HM250



**Compact 4K Camcorder
offering Great Mobility,
High Functionality
and Live Streaming with
Overlay Info**

4K CAM

HDMI
HIGH-DEFINITION MULTIMEDIA INTERFACE

SD
HC

SD
XC

AVCHD
Progressive

MOV
QuickTime™

Shown with optional microphone

4K Ultra HD Camcorder Delivers the Moment

Meet GY-HM250, the full-featured 4K Ultra HD camcorder that's small and light enough to take everywhere and capable of providing the quality you need. With two SDHC/SDXC slots, you can record hours of 4K/UHD (3840x2160) 4:2:2 material or 4:2:2 HD signals at up to 50Mbps. If you need to "go live" right now, you can have the GY-HM250 stream live HD footage over the Internet. Whether you want to fully customize your settings, or leave it to Full Auto and simply concentrate on the subject, count on the compact camcorder that puts professional quality in the palm of your hand.

4K CAM



Shown with optional microphone



IP Network & Live Streaming (HD/SD Mode)

Shown with optional 4G/LTE adapter

Advanced IP Network Communication and HD Streaming*

The GY-HM250 features JVC's latest IP communications engine, giving you remote control and monitoring of vital camera and lens functions from a tablet, smartphone, or computer anywhere in the world. Live streaming is possible in HD or SD resolutions, depending on available bandwidth. Connect your

GY-HM250 to an optional Wi-Fi or 4G/LTE modem and share your program with an audience anywhere in the world via content delivery networks such as YouTube, Facebook Live, and other cloud service.

*Requires appropriate network connection and optional adapter



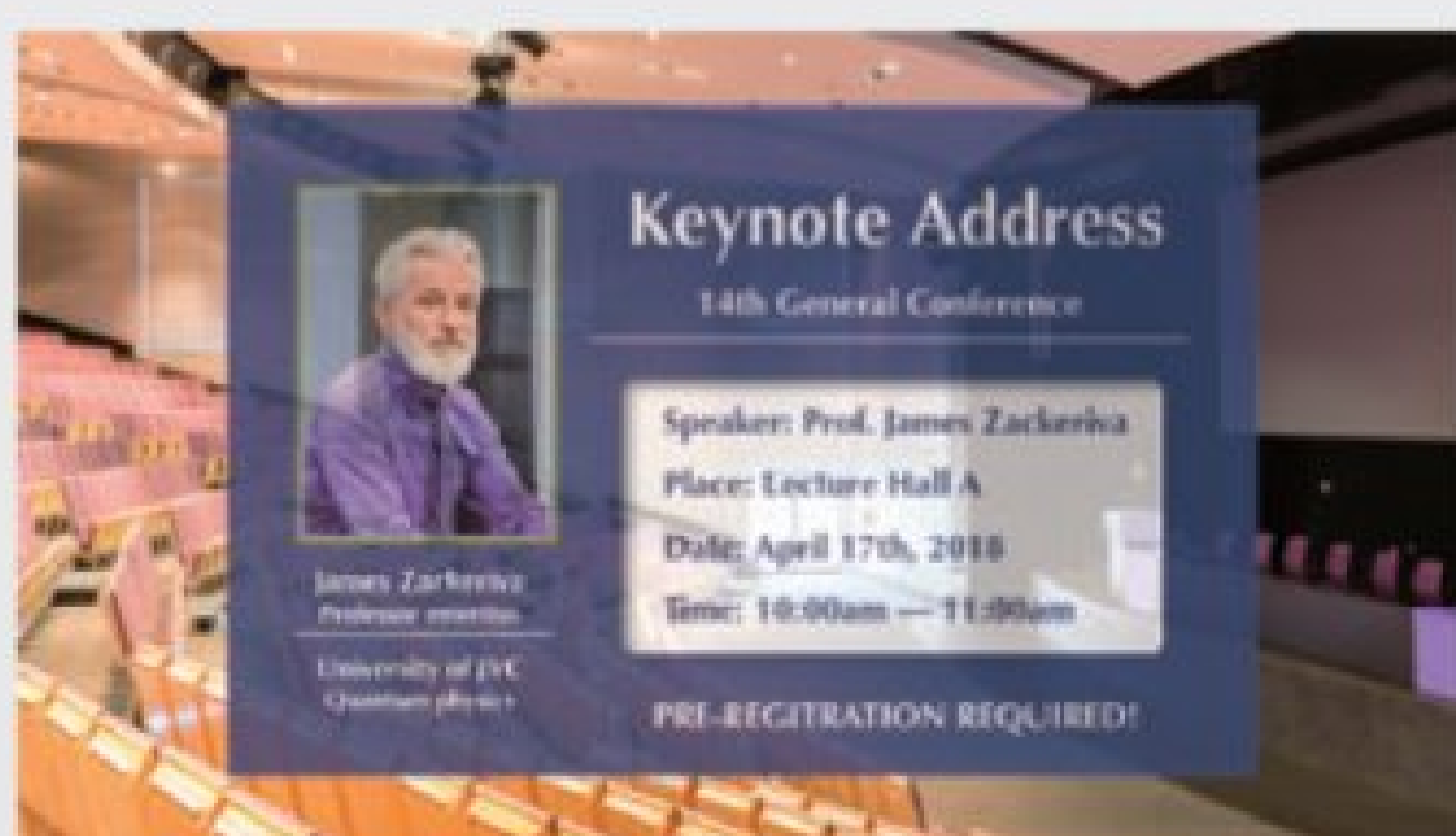
Real-Time Broadcast Info Overlay



Designed for enhanced single-camera production, the GY-HM250 produces a real-time broadcast information overlays for recorded video or streamed video without an external CG or production switcher. Lower-third graphic overlays are generated and controlled using a browser-equipped device, such as a tablet or smartphone.

Note: This feature is not available in 4K mode.

Full-Screen Graphics Overlay and Slide Show



Stores up to 50 full-screen custom graphics (PNG or JPG) in the camera to overlay on live streaming and HD recording. Graphics can be advanced manually or presented as a looping slide show with timing of 1 – 99 seconds* per slide.

Note: This feature is not available in 4K mode.

*Time is approximate. It does not necessarily guarantee that switching the slide precisely at set seconds.

FTP Uploading for Footage Transfer

Video clips recorded on an SDHC/SDXC card can be transferred from the GY-HM250 via FTP server. Clips can be trimmed right in the camera, which is useful for selecting only vital scenes before uploading to an FTP server. What's more, if an upload is interrupted by a weak connection, the FTP Resume function is smart enough to restart from where it left off. This will help to save time for uploading.

Advanced Streaming with Zixi

For advanced live streaming solutions, JVC has teamed with Zixi. The GY-HM250 features the Zixi engine, installed directly into the camera, to provide high-quality delivery over 4G/LTE or standard Internet connection. The powerful Zixi engine applies forward error correction (FEC) and adaptive bit rate control with the "high reliable mode" to correct packet loss by over 40%*, delivering a robust, reliable HD stream.

*Requires Zixi licensed decoder or server. Quality of live streaming depends on network conditions including packet loss.

Zero Config Capability

Provides automatic JVC camcorders detection within the same LAN group, and simple setting up connection with the Streamstar switcher system.

IP Remote Control and Viewing



When the camera is IP connected, vital camera operations can be remotely controlled via wireless or wired LAN from smart devices, computers, or optional RM-LP100. Remote control functions include lens and camera settings as well as registering zoom presets and IP connection settings.

The Quality Tells the Story

1/2.3-inch 12.4M CMOS Sensor

The GY-HM250 was built to deliver stunning, life-like 4K Ultra HD (3840x2160) video. JVC's 4K CMOS sensor with 12.4M pixels delivers high sensitivity and excellent performance over

a wide range of lighting conditions. Details are crisp and accurate throughout the entire image plane.

12x Optical Zoom and Seamless 24x Dynamic Zoom

The ultra high quality imagery begins with a precision 12x F1.2–3.5 optical zoom lens (35mm equivalent: 29.6–355mm). When shooting in the HD mode, Dynamic Zoom combines optical zoom

and pixel mapping from a 4K image sensor to create seamless and lossless 24x zoom. This allows the camera to have a long zoom range while retaining its compact form factor.



Original Image No Zoom



12x Optical Zoom



24x Dynamic Zoom in HD Zoom

Dynamic Zoom combines Optical Zoom plus Pixel Mapping—focusing on a smaller image area for lossless 24x Zoom

4K/Ultra HD (UHD) 4:2:2 Recording at 150Mbps and Live Output

Working with 4K has never been easier. Insert an SDHC or SDXC (UHS-I Speed class 3) memory card and record hours of 4K/UHD (3840x2160) 4:2:2 material. Recordings are made using the Quicktime (.MOV) file format and are compatible with many popular editing systems. Connect a 4K/UHD monitor with a single HDMI cable, and view the camera's live 4K signal. You can also play back recorded files directly from the camera. The GY-HM250 also downconverts UHD signals to standard HD for output through the built-in SDI or HDMI connectors.

120fps (59.94Hz)/100fps (50Hz) High-Speed Recording for Slow Motion Playback

Also available is high-speed recording* at up to 120fps (59.94Hz)/100fps (50Hz) for smooth slow motion playback (up to 1/5 slow at 24p mode). It helps create artistic effects and lets you watch replays to examine sporting skills.

*Available in 1920x1080 resolution only



More Manageable 70Mbps 4K Recording Mode

4K 70Mbps recording mode is also available to record 4K footage on economical Class 10 SDHC/SDXC memory cards. The lower bit rate creates smaller, more manageable files.

Built-in ND Filter

To address extremely bright conditions, ND filters have been provided internally. None, 1/4, and 1/16 are selectable for instant adjustment of light intake.

Full HD 4:2:2 Recording at 50Mbps

The ability to record H.264 4:2:2 24-60p at 50Mbps makes the GY-HM250 an ideal camera for broadcasting and production houses alike. The color accuracy of 4:2:2 enables the GY-HM250 to deliver exceptional color resolution even when images are in sharp contrast to the background. This is particularly useful when strong colors are in contrast to bright backgrounds, or in green screen usage.

More Features for Reliable Shooting

- Histogram Display • Spot Meter Display • Focus Assist
- Built-in Stereo Microphone • 3.5-inch Color LCD Display (920K pixel) • 0.24-inch Color Viewfinder • Wired Remote Control supported

**4K (UHD) 4:2:2 30p/25p/24p
at 150Mbps/70Mbps**

HD 4:2:2 60p/50p at 50Mbps



Shown with optional 4G/LTE adapter

The Versatility to Keep On Going

Manual Control Rings and User Assignable Buttons

Take total control of the scene with dual large rings for zoom and focus, and IRIS dial for smooth shooting. What's more, functions you want can be allocated to 9 buttons and 4 cursor levers, so settings can be changed smoothly during recording, making professional operation really easy.



Heavy-duty Handle Unit with Various Controls

The detachable heavy-duty handle makes the GY-HM250 easy to carry — and also makes it simple to shoot from low angles, thanks to its built-in REC button with lock function, and zoom lever. 2ch XLR audio inputs are provided for the attachment of a professional microphone or for LINE input, complete with Phantom power supply capability.



Fully Customizable Settings and Full Auto Simplicity

For more advanced visual expressions, detailed image settings such as gamma and color shade can be customized. All those customized settings are stored on the SD card, and can be called up whenever necessary. If speed is your maximum

concern, you can always go with Full Auto operation or engage Auto partially for certain functions. Reliable shooting is assured even in Auto mode.

Tele/Wide Macro Shooting

The GY-HM250 features the Tele/Wide Macro mode to provide better focus on close objects. A clear focus is maintained even at a distance of approx. 60cm from the subject at tele end.



"OFF" at MACRO Menu



"TELE+WIDE" at MACRO Menu

Highlight Display Priority Mode

Particularly effective for areas of high brightness, this mode records footage with more natural tones and richer colors. Perfect for scenes with bright sky and reflective surfaces.



Highlight Display Priority mode OFF



Highlight Display Priority mode ON

Dual SDHC/SDXC Card Slots for Maximum Versatility

Dual SDHC/SDXC card slots make the GY-HM250 a truly versatile camcorder, offering such benefits as series recording, dual recording, and backup recording modes using reliable and cost-effective media.

- **Series (relay) recording mode:** Continuous recording card by card.
- **Dual (simultaneous) recording mode:** Recording to 2 cards at same format for backup or multi-purpose.
- **Backup recording mode:** While the Rec trigger is used to REC and STOP recording on one card, the other card can act as a continuous backup that overrides the pause function.* This is a unique mode highly demanded by theatrical and bridal camera crews.



*During simultaneous backup recording in HD mode, the duplicate file records in the same file format and bit rate as the original.



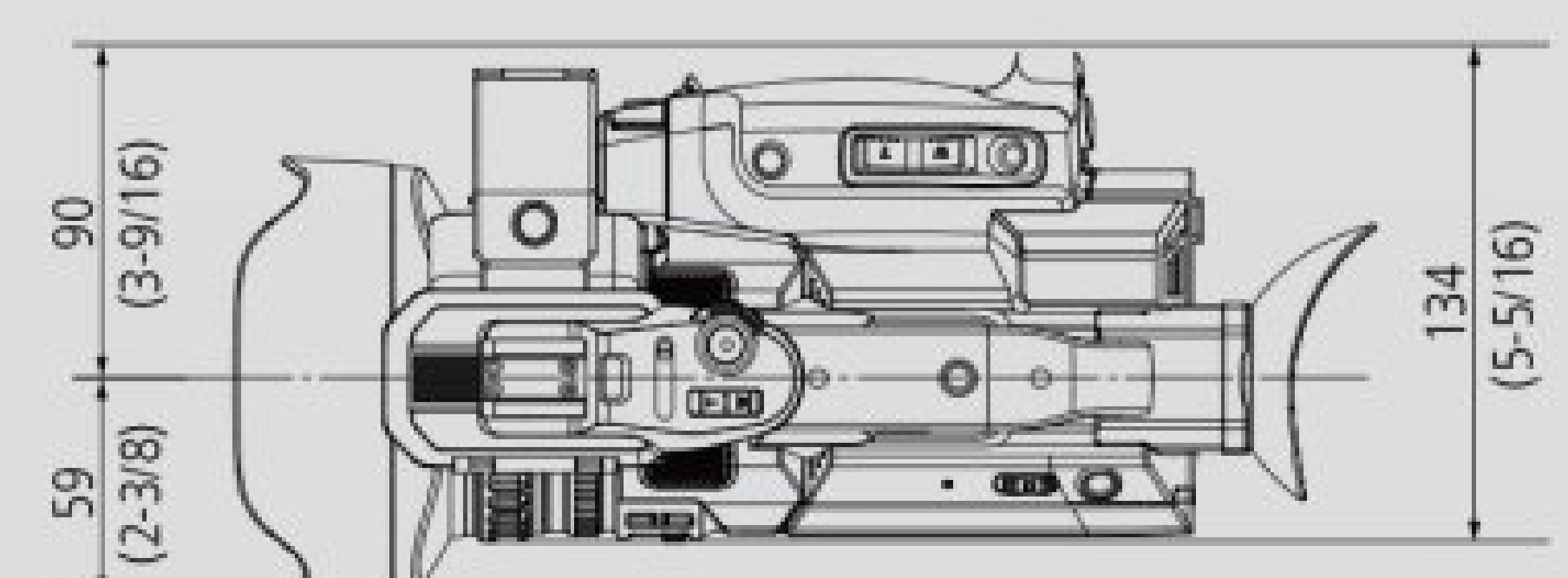
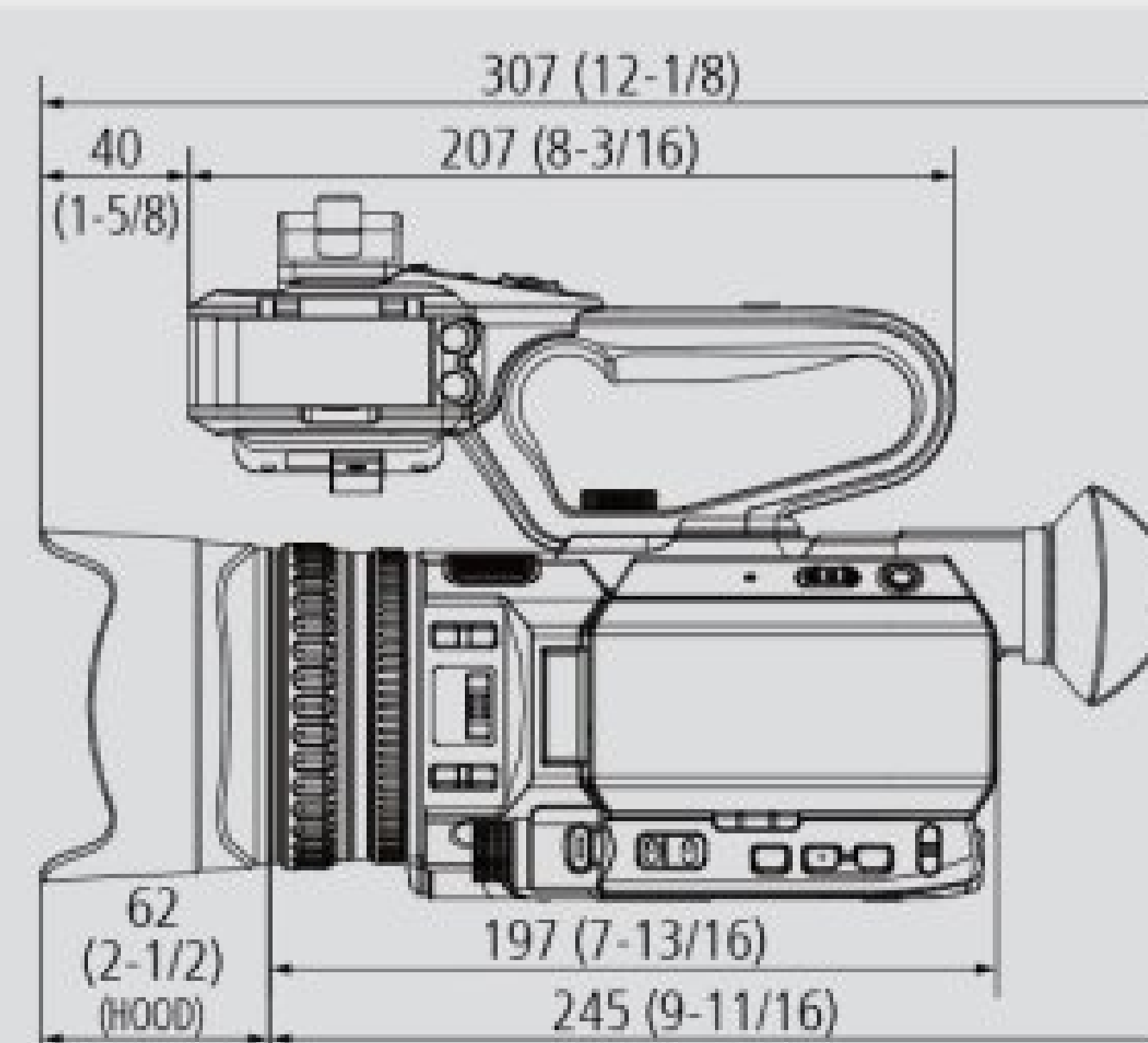
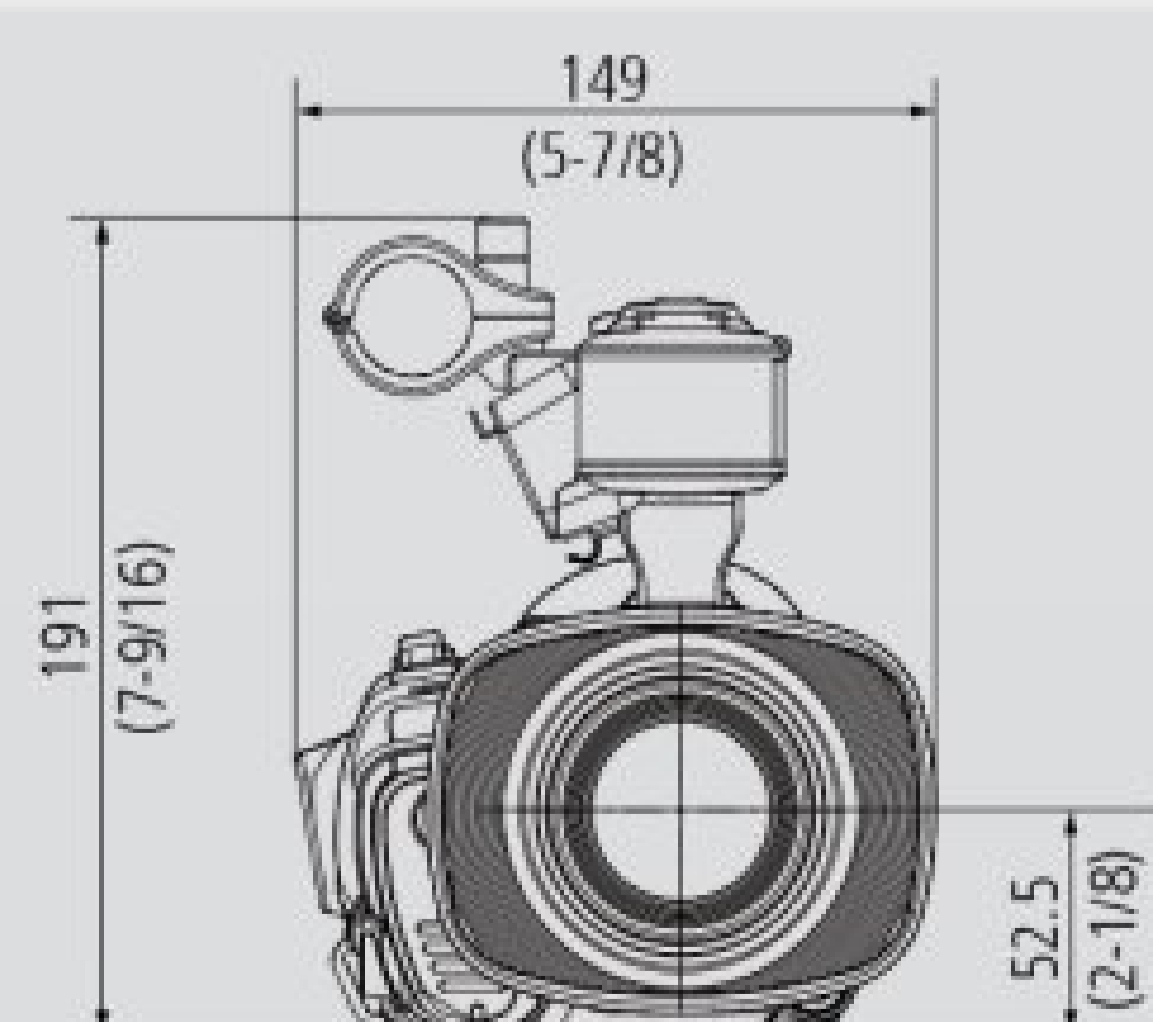
HD-SDI (3G) and HDMI Output

GY-HM250 comes with a wide variety of connectors to meet the needs of professional applications, including HD-SDI (3G) and HDMI. Secured digital connection is assured between external devices such as a recorder or switcher. Simultaneous output from both SDI and HDMI is also possible.



Dimensions

Unit: mm (inch)



Specifications

GENERAL	
Power	DC 12V (AC adaptor), DC 7.4V (battery)
Power consumption	Approx. 8.5W (with VF in 4K REC mode, default setting)
Weight	Approx. 1.47kg (including battery)
Dimensions	149 (W) x 191 (H) x 307 (D) mm
Operation temperature	0°C to 40°C
Storage temperature	-20°C to 50°C
Operating humidity	30% to 80%
Storage humidity	Under 85%
CAMERA	
Image sensor	1/2.3-inch back-side illuminated CMOS, total 12.4M pixels
Synchronizing	Internal synchronization
Stabilizer	Optical image stabilizer
Shutter speed	1/6 — 1/10000
Lens	35mm equivalent: 29.6mm to 355mm
Filter diameter	62mm
Gain	0, 3, 6, 9, 12, 15, 18, 21, 24 dB, Lolux (30, 36 dB), AGC
ND filter	None, 1/4, 1/16
LCD display	3.5-inch 920 k pixels, 16:9
Viewfinder	0.24-inch 1.56 M pixel, 16:9
VIDEO/AUDIO RECORDING	
Recording media	2x SDHC/SDXC memory card (4K (150Mbps): UHS-1 U3 4K (70Mbps), HD: 50Mbps Class 10, HD: 35Mbps Class 6, AVCHD/SD Class 4), High-Speed: UHS-1 U3
Video recording	Video codec: MPEG-4 AVC/H.264 (4K/HD/SD/Proxy), AVCHD (HD/SD) File format: MOV (H.264), MTS (AVCHD), MP4 (Exchange format: U model only)
Audio recording	LPCM 2ch, 48kHz/16-bit (4k/HD/SD MOV), AC3 2ch (AVCHD), μ -law 2ch (Proxy)
LIVE VIDEO STREAMING	
Protocol	RTMP, MPEG2-TS/UDP, MPEG2-TS/RTP, RTSP/RTP, Zixi
Resolution and bit rate	1920 x 1080 (59.94i/50i) Audio AAC 128 k 12/8/5/3 Mbps 1280 x 720 (59.94p/50p) Audio AAC 12/8/5/3 Mbps 1280 x 720 (29.97p/25p) Audio AAC 128 k 8/5/3/1.5 Mbps 720 x 480 (59.94i) 720 x 576 (50i) Audio AAC 128 k/64 k 8/5/3/1.5/0.8/0.3 Mbps 640 x 360 (29.97p/25p) Audio AAC 128 k/64k 3/1.5/0.8/0.3 Mbps
INTERFACES	
Video output	AV output (3.5mm mini jack x 1), SDI output (BNC x 1), HDMI output x 1
Audio input	XLR x2 (MIC, +48V/LINE), 3.5mm mini jack x 1
Audio output	AV output (3.5mm mini jack x 1)
Headphone	3.5mm mini jack x 1
Remote	2.5mm mini jack x 1
USB	HOST x 1 (network Connection), DEVICE x 1 (mass storage)
PROVIDED ACCESSORIES	
	Handle unit, battery (SSL-JVC50) x 1, AC adapter x 1

Recording Formats

System	Format	Resolution	Frame rate	Bit rate	Audio	Rec Time on 64GB SD Card	
4K	QuickTime (MPEG-4, AVC/H.264)	3840x2160	29.97p/25p/23.98p	150Mbps/70Mbps (YUV 4:2:2/Normal)	LPCM 2ch 48kHz/16bit	50 min./105 min.	
		1920x1080	59.94p/59.94i/50p/50i/29.97p/25p/23.98p	50Mbps (YUV4:2:2/XHQ)		145 min.	
HD	QuickTime (MPEG-4, AVC/H.264)	1280x720	59.94p/50p	35Mbps (UHQ)	LPCM 2ch 48kHz/16bit	200 min.	
		1920x1080	59.94p/50p	28Mbps (HQ)		Dolby Digital 2ch 48kHz/16bit 256kbps	270 min.
		1920x1080	59.94i/50i	24Mbps (HQ), 18Mbps (SP)		312 min./400 min.	
	Exchange MP4 (U model only)	1920x1080	59.94p	12Mbps (LP)	AAC	512 min.	
		1280x720	59.94p	8Mbps (LP)		752 min.	
SD	QuickTime	720x480 (U model)	59.94i	8Mbps (HQ)	LPCM 2ch 48kHz/16bit	760 min.	
	AVCHD	720x480 (U model)	59.94i	8Mbps (HQ)	Dolby Digital 2ch 48kHz/16bit 256kbps	842 min.	
	QuickTime	720x576 (E/EC model)	50i	8Mbps (HQ)	LPCM 2ch 48kHz/16bit	760 min.	
	AVCHD	720x576 (E/EC model)	50i	8Mbps (HQ)	Dolby Digital 2ch 48kHz/16bit 256kbps	842 min.	
WEB (Proxy)	QuickTime (MPEG-4, AVC/H.264)	960x540	29.97p/25p/23.98p	3Mbps (HQ)	μ -law 2ch 16kHz	2160 min.	
		720x480	59.94i	8Mbps	LPCM 2ch 48kHz/16bit	760 min.	
		720x576	50i	8Mbps	LPCM 2ch 48kHz/16bit	760 min.	
	AVCHD	480x270	29.97p/25p/23.98p	1.2Mbps (LP)	μ -law 2ch 16kHz	4720 min.	
		1440x1080	59.94i/50i	9Mbps (LP), 5Mbps (EP)	Dolby Digital 2ch 48kHz/16bit 256kbps	760 min./1344 min.	
		720x480	59.94i	8Mbps		760 min.	
High-Speed	QuickTime (MPEG-4, AVC/H.264)	1920x1080	120fps	59.94p/29.97p/23.98p	50Mbps (XHQ), 35Mbps (UHQ)	—	(Differs by setting)
			100fps	50p/25p			
			60fps	29.97p/23.98p			
			50fps	25p			
			50fps	25p			

Optional Accessories



SSL-JVC50
Standard Li-ion Battery (IDX)
DC7.4V, 4900mAh, 37Wh



SSL-JVC75
Long-life Li-ion Battery with X-Tap Connector (IDX)
DC7.4V, 7350mAh, 55Wh



LC-2J
7.4V 2-ch Simultaneous Charger (IDX)



RM-LP100
Remote Camera Controller via LAN

Product and company names mentioned here are trademarks or registered trademarks of their respective owners. *AVCHD Progressive* and *AVCHD Progressive* logo are trademarks of Panasonic Corporation and Sony Corporation. HDMI, the HDMI logo and High-Definition Multimedia Interface are trademarks or registered trademarks of HDMI Licensing LLC. Dolby is a trademark of Dolby Laboratories. Zixi and the Zixi logo are trademarks of Zixi LLC. The SD, SDHC and SDXC are trademarks of the SD Card Association.

Simulated pictures.
The values for weight and dimensions are approximate.
E.&O.E. Design and specifications subject to change without notice.
Copyright © 2017, JVCKENWOOD Corporation. All Rights Reserved.

JVCKENWOOD

DISTRIBUTED BY